

GB **P** **Standard finish:**

- 1** Self colour
- 2** Pre galvanised
- 3** Hot dip galvanised
(EN ISO 1461:1999)
- 4** Stainless steel 316L (A4)
- 5** Electro zinc plated
- 6** Deltatone
(>550 H. ASTM B 117 94)
- 7** Zinc painted

D **P** **Standardausführungen:**

- 1** Walzblank
- 2** Feuerverzinkt nach dem Sendzimir-
verzinkungsverfahren (Z 275)
- 3** Feuerverzinkt nach dem Tauchverfahren
(EN ISO 1461:1999)
- 4** Edelstahl W. 1.4404/1.4571 (A4)
- 5** Galvanisch verzinkt
- 6** Deltatone
(>550 H. ASTM B 117 94)
- 7** Zink Anstrich

NL **P** **Standaard afwerkingen:**

- 1** Blank onbewerkt staal
- 2** Sendzimir verzinkt plaatstaal
- 3** Thermisch verzinkt na fabricage
(EN ISO 1461:1999)
- 4** Roestvrij staal
(AISI 316L, nr 1.4404 (A4))
- 5** Electrolytisch verzinkt
- 6** Deltatone
(>550 H. ASTM B 117 94)
- 7** Zink primer

N **P** **Standard materialkvaliteter:**

- 1** Ubehandlet
- 2** Pregalvaniseret
- 3** Varmforsinket
(EN ISO 1461:1999)
- 4** Syrefat stål 316L (A4)
- 5** Elforsinket
- 6** Deltatone
(>550 H. ASTM B 117 94)
- 7** Zink malt

F **P** **Finition standard:**

- 1** Acier brut
- 2** Acier galvanisé Sendzimir (Z 275)
- 3** Acier galvanisé à chaud après fabrication
(EN ISO 1461:1999)
- 4** Acier inoxydable AISI 316L (A4)
- 5** Electro zingué
- 6** Deltatone
(>550 H. ASTM B 117 94)
- 7** Peinture en zinc

S **P** **Materialbeskrivning:**

- 1** Obehandlat
- 2** Förgalvaniserat
- 3** Varmgalvaniserat
(EN ISO 1461:1999)
- 4** Rostfritt stål 316L (A4)
- 5** Elförzinkat
- 6** Deltatone
(>550 H. ASTM B 117 94)
- 7** Zinkfärg

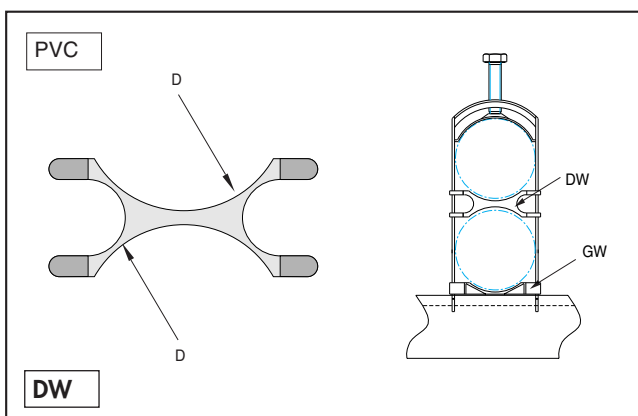
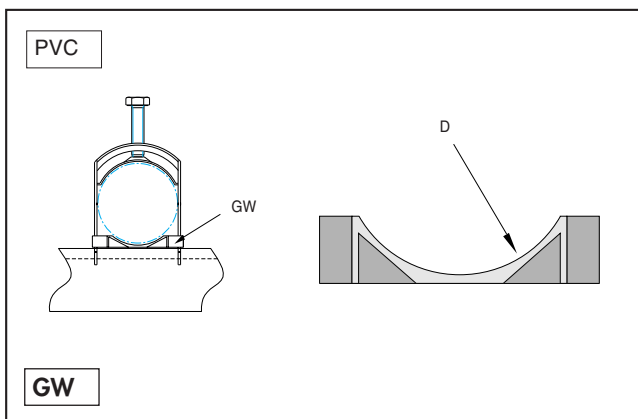
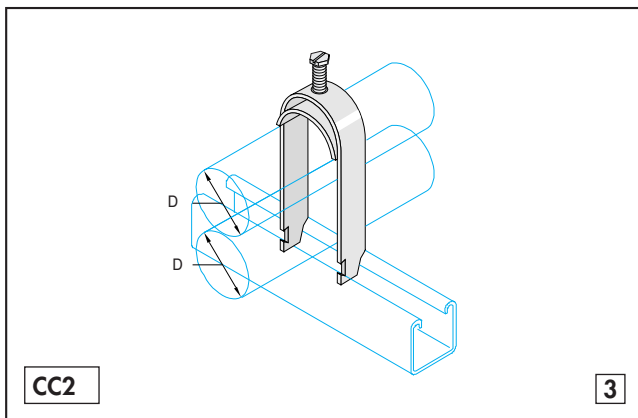
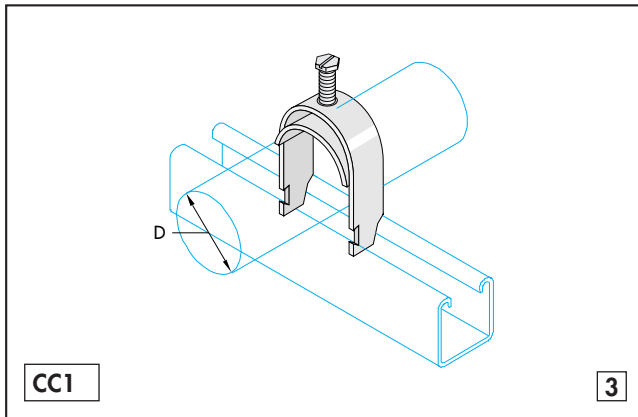


CABLE CLAMPS

Kabelschellen & PVC-Gegenwannen **D**

Kabelklammer og PVC underlag **N**

Kabelklammor & pvc klammor **S**



Cable clamps & pvc blocks **GB**

Kabelklemmen & PVC beschermblokken **NL**

Colliers pour cables et berceau en pvc **F**

| Art.Nr. | D ø (mm) | |
|-----------|-------------|-------|
| CC1-08/12 | 08-12 | 0,027 |
| CC1-12/16 | 12-16 | 0,031 |
| CC1-16/20 | 16-20 | 0,036 |
| CC1-20/24 | 20-24 | 0,041 |
| CC1-24/28 | 24-28 | 0,045 |
| CC1-28/32 | 28-32 | 0,060 |
| CC1-32/36 | 32-36 | 0,068 |
| CC1-36/40 | 36-40 | 0,076 |
| CC1-40/44 | 40-44 | 0,096 |
| CC1-44/48 | 44-48 | 0,095 |
| CC1-48/52 | 48-52 | 0,107 |
| CC1-52/56 | 52-56 | 0,112 |
| CC1-56/60 | 56-60 | 0,158 |
| CC1-64/70 | 64-70 | 0,190 |
| CC1-70/76 | 70-76 | 0,240 |

| Art.Nr. | D ø (mm) | |
|-----------|-------------|-------|
| CC2-08/12 | 08-12 | 0,034 |
| CC2-12/16 | 12-16 | 0,039 |
| CC2-16/20 | 16-20 | 0,048 |
| CC2-20/24 | 20-24 | 0,055 |
| CC2-24/28 | 24-28 | 0,062 |

| Art.Nr. | D ø (mm) | |
|---------|-------------|-------|
| GW10/12 | 10-12 | 0,012 |
| GW14/16 | 14-16 | 0,016 |
| GW18/20 | 18-20 | 0,026 |
| GW22/24 | 22-24 | 0,028 |
| GW26/28 | 26-28 | 0,032 |
| GW30/32 | 30-32 | 0,040 |
| GW34/36 | 34-36 | 0,044 |
| GW38/40 | 38-40 | 0,057 |

| Art.Nr. | D ø (mm) | |
|---------|-------------|-------|
| DW10/14 | 10-14 | 0,013 |
| DW16/22 | 16-22 | 0,028 |
| DW24/30 | 24-30 | 0,060 |

CABLE CLAMPS

GB Cable- and Pipe clamps

NL Kabel- en buisklemmen

F Colliers pour cables et tubes

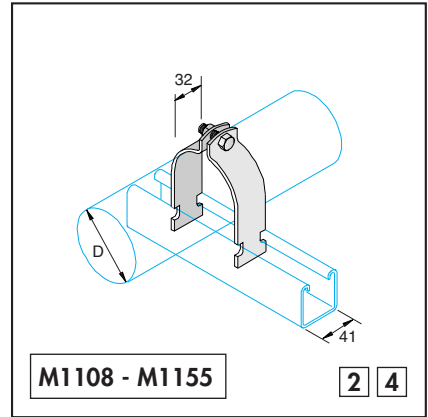
D Kabel- und Rohrschellen

N Kabelklammer

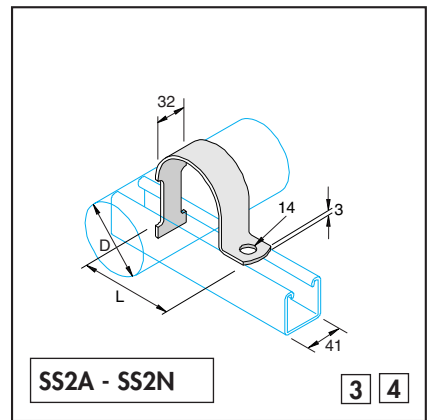
S Kabelklammer

| [2] Art.nr. | [4] Art.nr. | D mm | ⚖ g |
|----------------|----------------|-------------|--------|
| M1108 | M1108SS | 8.7 - 10.3 | 35 |
| M1109 | M1109SS | 10.3 - 12.7 | 37 |
| M1110 | M1110SS | 11.9 - 13.5 | 38 |
| M1111 | M1111SS | 13.5 - 14.3 | 39 |
| M1112 | M1112SS | 14.3 - 16.7 | 40 |
| M1113 | M1113SS | 15.9 - 18.3 | 41 |
| M1114 | M1114SS | 18.3 - 20.6 | 45 |
| M1115 | M1115SS | 19.0 - 21.4 | 47 |
| M1116 | M1116SS | 21.4 - 25.4 | 49 |
| M1117 | M1117SS | 25.4 - 27.8 | 53 |
| M1118 | M1118SS | 27.0 - 30.2 | 64 |
| M1119 | M1119SS | 30.2 - 33.8 | 72 |
| M1120 | M1120SS | 31.8 - 35.9 | 72 |
| M1121 | M1121SS | 34.9 - 39.7 | 79 |
| M1122 | M1122SS | 39.7 - 42.9 | 84 |
| M1123 | M1123SS | 42.9 - 46.8 | 90 |
| M1124 | M1124SS | 46.8 - 50.8 | 128 |
| M1125 | M1125SS | 48.4 - 52.4 | 131 |
| M1126 | M1126SS | 52.4 - 58.7 | 137 |
| M1127 | M1127SS | 58.7 - 63.5 | 150 |
| M1128 | M1128SS | 63.5 - 68.3 | 160 |
| M1129 | M1129SS | 68.3 - 73.0 | 164 |
| M1130 | M1130SS | 73.0 - 79.4 | 171 |
| M1131 | M1131SS | 76.2 - 82.6 | 175 |

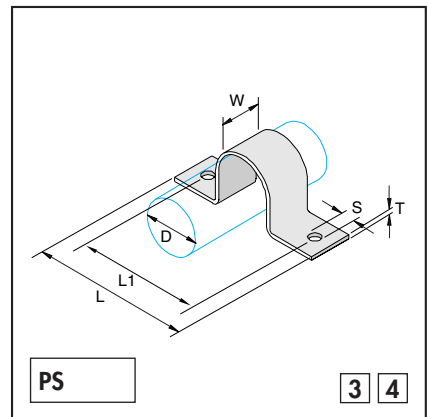
| [2] Art.nr. | [4] Art.nr. | D mm | ⚖ g |
|----------------|----------------|---------------|--------|
| M1132 | M1132SS | 82.6 - 88.1 | 189 |
| M1133 | M1133SS | 88.1 - 95.2 | 203 |
| M1134 | M1134SS | 95.2 - 100.0 | 219 |
| M1135 | M1135SS | 100.0 - 106.4 | 273 |
| M1136 | M1136SS | 106.4 - 111.1 | 286 |
| M1137 | M1137SS | 111.1 - 120.7 | 296 |
| M1138 | M1138SS | 120.7 - 129.4 | 318 |
| M1139 | M1139SS | 129.4 - 138.1 | 343 |
| M1140 | M1140SS | 138.1 - 149.2 | 348 |
| M1141 | M1141SS | 149.2 - 161.9 | 376 |
| M1142 | M1142SS | 161.9 - 174.6 | 410 |
| M1143 | M1143SS | 174.6 - 182.6 | 423 |
| M1144 | M1144SS | 182.6 - 190.5 | 466 |
| M1145 | M1145SS | 190.5 - 203.2 | 491 |
| M1146 | M1146SS | 203.2 - 212.7 | 501 |
| M1147 | M1147SS | 212.7 - 225.4 | 505 |
| M1148 | M1148SS | 225.4 - 238.1 | 524 |
| M1149 | M1149SS | 238.1 - 250.8 | 555 |
| M1150 | M1150SS | 250.8 - 263.5 | 576 |
| M1151 | M1151SS | 263.5 - 276.2 | 592 |
| M1152 | M1152SS | 276.2 - 288.9 | 624 |
| M1153 | M1153SS | 288.9 - 301.6 | 654 |
| M1154 | M1154SS | 301.6 - 314.3 | 679 |
| M1155 | M1155SS | 314.3 - 327.0 | 699 |



| [3] Art.nr. | [4] Art.nr. | D | | L | ⚖ g |
|----------------|----------------|-------|-------|-----|--------|
| | | NB/DN | mm | mm | |
| SS2/AH | SS2/ASS | 15 | - 21 | 66 | 59 |
| SS2/BH | SS2/BSS | 20 | - 27 | 73 | 70 |
| SS2/CH | SS2/CSS | 25 | - 34 | 81 | 84 |
| SS2/DH | SS2/DSS | 32 | - 43 | 90 | 100 |
| SS2/EH | SS2/ESS | 40 | - 48 | 96 | 112 |
| SS2/FH | SS2/FSS | 50 | - 60 | 96 | 135 |
| SS2/GH | SS2/GSS | 65 | - 76 | 113 | 165 |
| SS2/HH | SS2/HSS | 80 | - 90 | 125 | 189 |
| SS2/JH | SS2/JSS | 90 | - 102 | 137 | 214 |
| SS2/KH | SS2/KSS | 100 | - 115 | 150 | 240 |
| SS2/LH | SS2/LSS | 125 | - 140 | 175 | 287 |
| SS2/MH | SS2/MSS | 150 | - 168 | 204 | 342 |
| SS2/NH | SS2/NSS | 200 | - 220 | 255 | 442 |



| [3] Art. No | [4] Art. No | D | | W x T | S | L | L1 |
|----------------|----------------|-------|----------|-------|----|-----|-----|
| | | NB/DN | " | mm | mm | mm | mm |
| PS0153 | PS0154 | 15 | - 1/2" | 40x3 | 11 | 108 | 68 |
| PS0203 | PS0204 | 20 | - 3/4" | 40x3 | 11 | 113 | 73 |
| PS0253 | PS0254 | 25 | - 1" | 40x3 | 11 | 120 | 80 |
| PS0323 | PS0324 | 32 | - 1 1/4" | 40x3 | 11 | 128 | 88 |
| PS0403 | PS0404 | 40 | - 1 1/2" | 40x3 | 11 | 134 | 94 |
| PS0503 | PS0504 | 50 | - 2" | 40x4 | 11 | 148 | 108 |
| PS0653 | PS0654 | 65 | - 2 1/2" | 40x4 | 11 | 164 | 124 |
| PS0803 | PS0804 | 80 | - 3" | 40x4 | 11 | 177 | 137 |
| PS1003 | PS1004 | 100 | - 4" | 40x4 | 14 | 202 | 162 |
| PS1253 | PS1254 | 125 | - 5" | 40x6 | 14 | 231 | 191 |
| PS1503 | PS1504 | 150 | - 6" | 40x6 | 14 | 260 | 220 |
| PS2003 | PS2004 | 200 | - 8" | 40x6 | 14 | 301 | 261 |
| PS2503 | PS2504 | 250 | - 10" | 50x6 | 18 | 385 | 335 |
| PS3003 | PS3004 | 300 | - 12" | 50x6 | 18 | 435 | 385 |



CABLE CLAMPS